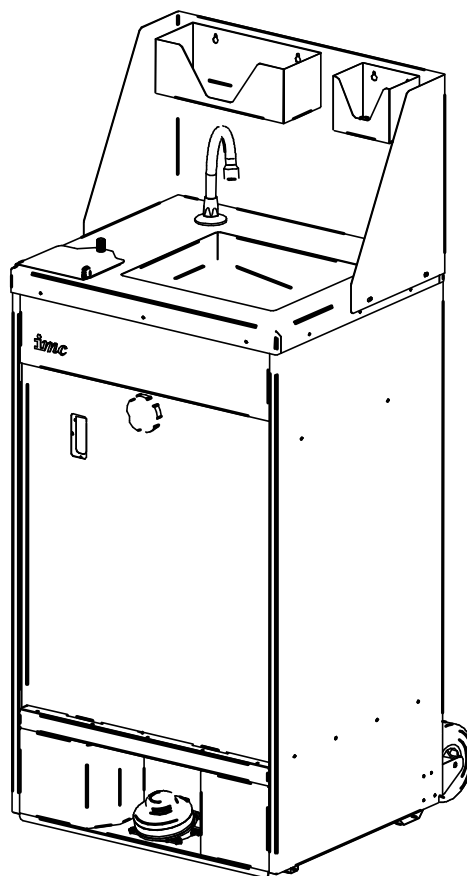




MOBILE HAND WASH UNIT

INSTALLATION, OPERATION & MAINTENANCE MANUAL

PLEASE LEAVE WITH OPERATOR



MOBILE HAND WASH UNIT – F63/502

INDEX

INPORTANT INFORMATION	1
Guarantee	1
Delivery	1
DIMENTIONS	2
SPECIFICATION	2
PRODUCT FEATURES	3
INSTALLATION	4
Procedure	4
Location	4
Electrical Connection	5
Commissioning	6 - 7
Emptying / Refilling / Draining	7 - 8
Cleaning	8
SPARE PARTS	
Spare Parts List	9
Ordering Spear Parts	9
	9

IMPORTANT INFORMATION

Read these instruction carefully. This manual outlines the installation, operation procedures relevant to this unit.

**WARNING**

The unit should be used under adult supervision

Guarantee

The Mobile Hand Wash unit is guaranteed by Lincat for 1 years from the date of purchase from Lincat, or from one of its stockists, dealers or distributors. The guarantee is limited to the replacement of faulty parts or products and excludes any consequential loss or expense incurred by purchaser. Defects which arise from faulty installation, inadequate maintenance, incorrect use or fair wear and tear are not covered by the guarantee.

The guarantee applies in this form to installations within the United Kingdom.

Please observe these instructions carefully. Keep this manual for future reference

The manufacturer disclaims any liability for incidental, or consequential damages. Attendance is based on reasonable access to the appliance to allow the authorised technician to carry out the warranty work.

Delivery

The packaged unit contains:

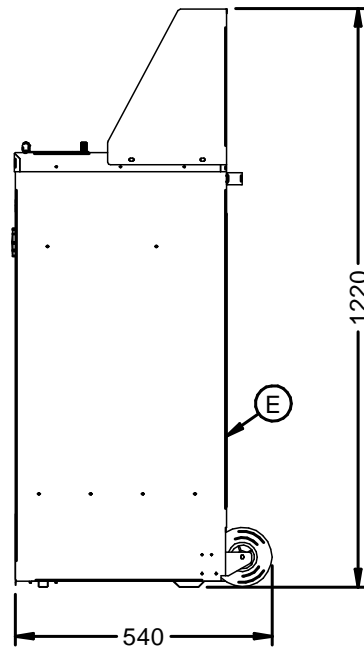
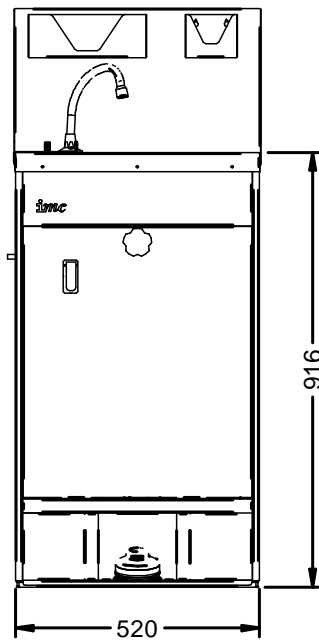
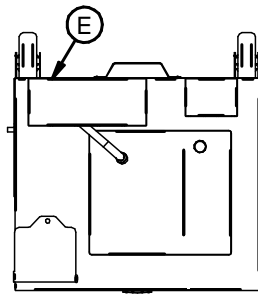
IMC MOBILE HAND WASH UNIT: Fully Assembled Hand Wash Unit	1
Splashback Panel	1
Paper Tower Dispenser	1
Soap Dispenser	1
Funnel with flexible spout	1
Water container 20L - Natural	1
Drain adapter	1
Instruction Booklet	1

Please notify **LINCAT-IMC** on the day of receipt if anything is missing or damaged.

☎ UK: 01522 875555

Check that the correct machine has been supplied. The data plate is located on the rear of the unit.

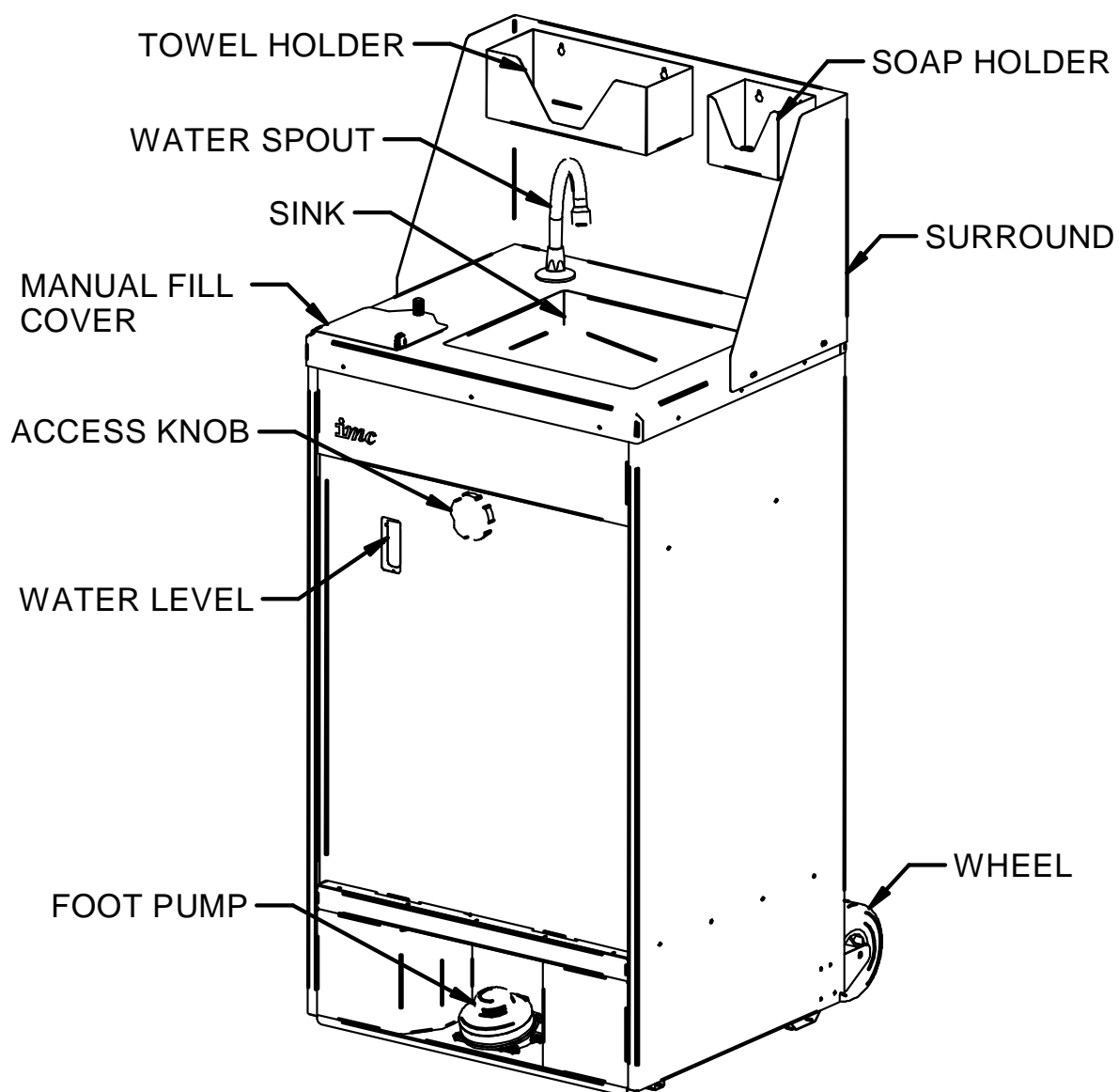
DIMENSIONS



SPECIFICATION

Part No.	F63/502
Power rating	3 kW
Voltage	230 V ~50 Hz
Tank Capacity	20 litres
Net Weight	33.6kg
Water Temperature	42 °C

PRODUCT FEATURES



INSTALLATION

These Instructions contain important information designed to help the user obtain the maximum benefit from their investment in an IMC Mobile Hand Wash Unit.

Please read them carefully before starting work and consult with your distributor/supplier in the event of any queries.

Be sure to leave this Instruction Manual with the user after installation of the machine is complete.

Procedure



WARNING

The following table shows the weight and the minimum quantity of people required to lift each unit:

	Net Weight	Quantity of People
IMC Mobile Hand Wash Unit	33.6 kg	2

Before connecting the unit to a power supply; remove all packaging and ensure that the unit is checked over for damage, any damage must be reported to the carrier or distributor/supplier immediately.

Remove any protective plastic coating on the unit.

Water may be present in the tanks of the unit due to rigorous testing prior to dispatch.

Location

The Mobile Hand Wash Unit is only suitable for use where there is no risk for the unit to be adversely affected by its surrounding environment or for the electrical components/connections to get wet.

The unit must be stationed on a flat surface capable of safely supporting the units weight when fully laden with water.

Ensure that the surface which the unit is to be stationed on is dry to avoid any water ingress into the lower electrical compartment.

Always ensure that the unit is unplugged before moving, move the unit using the handle on the back which also acts as a wrap bracket to hold the power cord in place when not in use.

The unit must be stationed at a reasonable distance from the power outlet socket so as not to put strain on the electrical connections, or causing a trip hazard. The power cord should not come in contact with any hot surfaces at any time.

Electricity Supply Connection

Position the unit at the chosen site, the electricity supply connection should be made to a power outlet socket or isolator mounted on the wall close to the machine. This socket or isolator must be accessible once the machine is installed. Before connecting, check that the voltage shown on the rating is correct for the electricity supply you have available. If the plug does not fit your sockets or a longer lead is required, changes must be made by an approved electrician.

NOTE: The plug is fitted with a 13amp fuse.

The plug fuse cover must be refitted when changing the fuse. In the event of losing the fuse cover the plug must NOT be used until a replacement fuse cover has been obtained and fitted or the plug replaced.

WARNING: This machine must be earthed!

Should the supply cord become damaged then a replacement must be fitted by an approved electrician. The IEE Codes of Practice must be observed.

The wires in the mains lead are coloured in accordance with the following code:

Green and yellow	Earth
Blue	Neutral
Brown	Live

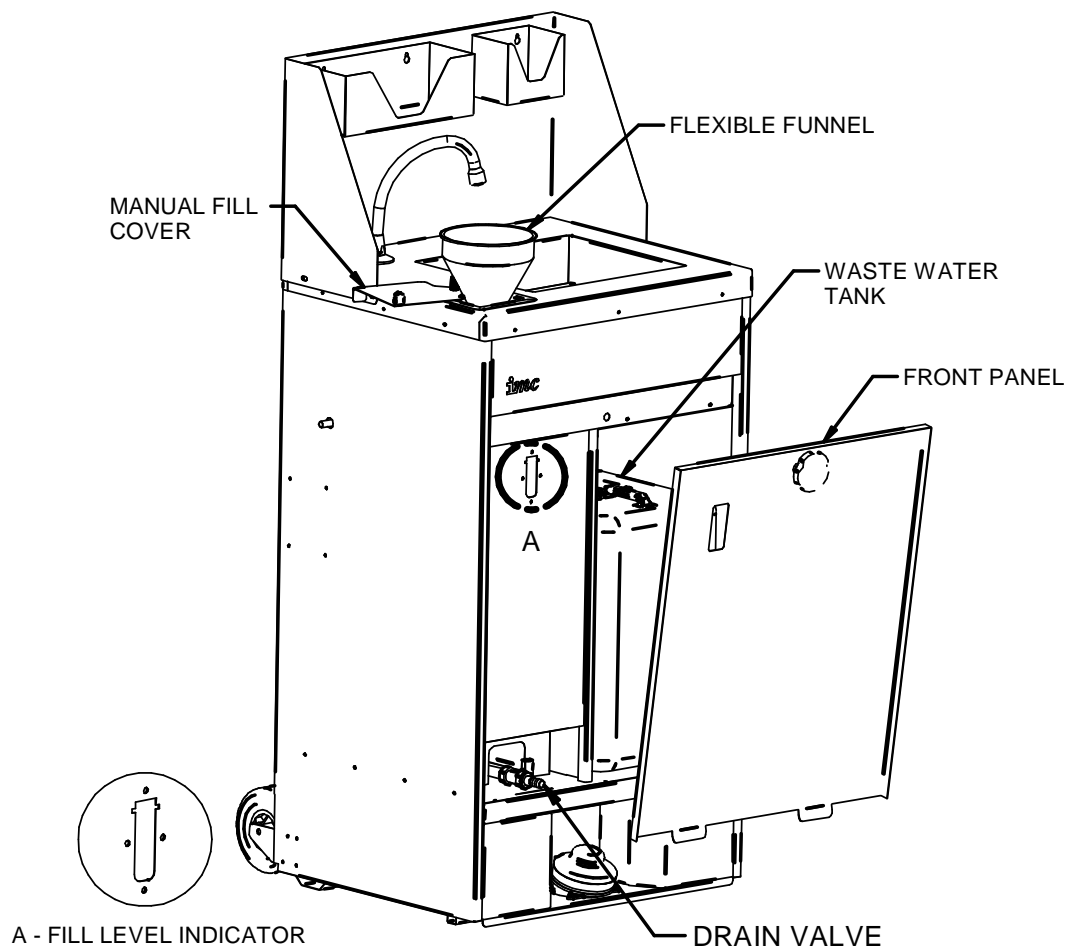
USING YOUR IMC MOBILE HAND WASH UNIT

Commissioning

Firstly; ensure that the unit is unplugged from any power source before following the steps outlined below.

Remove the front panel by unscrewing the black knob, tilt the panel backwards and pull away from the unit at an upward angle. This will enable the operator to gain access to the inner components of the unit.

Once the front panel has been removed, ensure that the waste water tank is in place and that the drain tube from the sink is correctly located within the waste water tank. Rotate the manual fill cover and locate the flexible plastic funnel. Fill the tank up to the level shown on the fill level indicator on the tank. Store the funnel within the cabinet, close the filling spout cover and fit the front cover.



Power the unit up by connecting it to a suitable power source. Once the unit has been connected, the element in the hot water tank will start heating up the water immediately; it should take approximately 15 minutes to reach operating temperature on a full tank of water.

We advise that you operate the foot pump and pass water through the unit before refitting the front panel. To prime the pump depress the foot pump several times until water is seen coming out of the spout located above the sink on the unit.

Once all of the above steps have been completed and the front panel has been refitted, your Mobile Hand Wash Unit should now be ready for operation.

Emptying / Refilling

Once the unit has completed its total number of operations, the waste water tank will need emptying before the hot water tank is refilled.

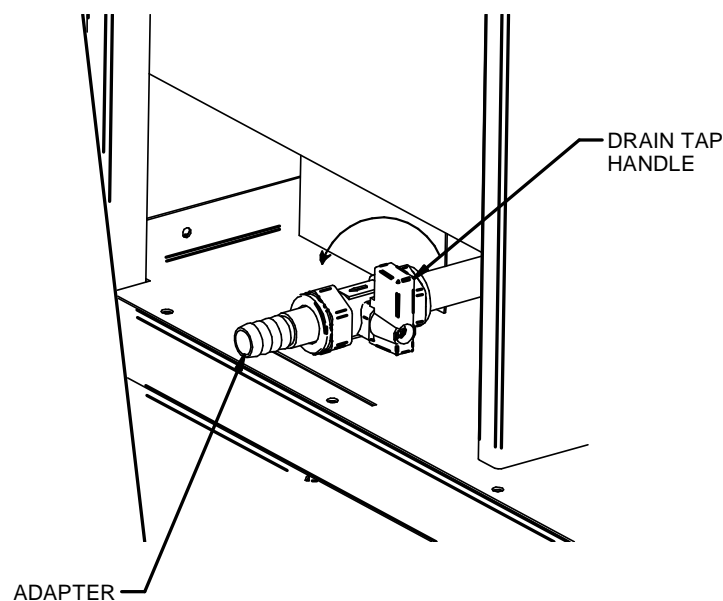
To empty the waste-water tank; remove the front panel as described above. The waste-water container can now be slid out of the unit whilst easing the flexible drain tube from the container and the waste emptied appropriately.

To re-install the waste-water tank, follow the above steps in reverse ensuring that the flexible drain tube is within the waste-water container.

To refill the hot water tank, follow the steps outlined in the commissioning section.

Draining

At the end of a day's use, the hot water tank must be drained in order to reduce the risk of bacteria and other harmful organisms multiplying in the water reservoir. A drainage valve has been integrated in to the design of the tank which can be seen in the figure below.



To drain

Connect the adapter finger tight on to the drain valve and position a suitable container to collect the water.

Open the tap and allow enough time for the water to flow out.

Close the tap and remove the adapter and place it back in its stowing position.

Ensure that the waste water is disposed of appropriately.

Cleaning

NOTE: This hand wash station is not waterproof and therefore must not be cleaned using a hose or any type of water jet equipment.

Clean the externals of the unit as required; using a damp cloth and an appropriate cleaning product.

DO NOT USE CLEANING MATERIALS CONTAINING ABRASIVES OR BLEACHES.

Descaling

In addition to regular cleaning the unit will also need to be descaled on a regular basis, the frequency of which depends on the hardness of the water being used. Descaling is required when calcium carbonate deposits are left on the water heating element and interior of the hot water tank after repeated use.

Use a propriety descaling product recommended for stainless steel kettles; follow all instructions provided with the descaling product. Upon using the descaling product, ensure that the hot water tank is filled with water, heated and emptied to ensure that no remnants of the product remain in the tank

SPARE PARTS

Spare Parts List

PART NUMBER	QTY	DESCRIPTION
WC01	1	WASTE WATER TANK
WP02	1	FOOT PUMP
A10/498	1	PLASTIC FUNNEL WITH FLEXIBLE SPOUT
A19/042	2	MOBILE HANDWASH WHEEL
A21/044	2	KNOB 2160_M M8 x 14 BLACK
G45/190	1	THERMOSTAT
G45/194	1	THERMAL CUT-OUT
G60/908	1	PLUG & CABLE (UK)
PS07	1	PRESSURE SWITCH
EL297	1	HEATER ELEMENT
J03/171	1	TAP ASSEMBLY

Ordering Spare Parts

In the event that spare parts or accessories need to be ordered, please always quote the **SERIES AND SERIAL NUMBER** of the machine. This is to be found on the rating plate located near the supply cable if applicable or at the rear of the appliance.

For help with the installation, maintenance and use of your **Lincat - IMC** equipment, please contact our service department:

☎ UK: 01522 875520

For non-UK customers, please contact your local Lincat dealer

All service work, other than routine cleaning should be carried out by one of our authorised service agents. We cannot accept responsibility for work carried out by other persons.

To ensure your service enquiry is handled as efficiently as possible, please tell us:

- Brief details of the problem
 - Product code
 - Type number
 - Serial number
- } All available on serial plate

Lincat reserve the right to carry out any work under warranty, given reasonable access to the appliance, during normal working hours, Monday to Friday, 08:30 to 17:00.